

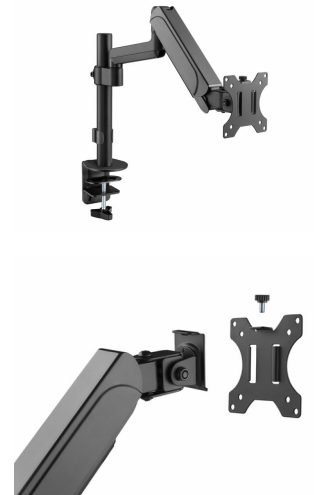
Equip 650132 flat panel bureau steun 81,3 cm (32") Zwart

Merk : Equip

Artikelcode: 650132

Productnaam : 650132

Equip 650132. Montage: Klem, Maximale gewichtscapaciteit: 9 kg, Minimale schermgrootte: 33 cm (13"), Maximale schermgrootte: 81,3 cm (32"), Montage interface compatibiliteit (min): 75 x 75 mm, Montage interface compatibiliteit (max): 100 x 100 mm. In hoogte verstelbaar, Bereik kantelhoek: -35 - 35°. Kleur van het product: Zwart



Montage		Gewicht en omvang	
Minimale schermgrootte *	33 cm (13")	Hoogte	114 mm
Maximale gewichtscapaciteit *	9 kg	Gewicht	3,3 kg
Maximaal draagvermogen (per display/scherm)	9 kg	Verpakking	
Maximale schermgrootte *	81,3 cm (32")	Aantal per verpakking	1 stuk(s)
Montage	Klem	Breedte verpakking	222 mm
Montagewijze *	Bureau	Diepte verpakking	123 mm
Montage interface compatibiliteit (min) *	75 x 75 mm	Hoogte verpakking	384 mm
Montage interface compatibiliteit (max) *	100 x 100 mm	Gewicht verpakking	3,78 kg
Aantal displays ondersteund *	1	Type verpakking	Doos
Ergonomie		Inhoud van de verpakking	
In hoogte verstelbaar	✓	Gebruikershandleiding	✓
Type hoogteverstelling	Gastrekveer	Logistieke gegevens	
Bereik kantelhoek	-35 - 35°	(Buitenste) hoofdverpakking breedte	222 mm
Pan bereik	-90 - 90°	(Buitenste) hoofdverpakking lengte	123 mm
Verbeterd kabelbeheer	✓	(Buitenste) hoofdverpakking hoogte	384 mm
Design		(Buitenste) hoofdverpakking brutogewicht	3,78 kg
Materiaal behuizing	Aluminium	Hoeveelheid per (buitenste) hoofdverpakking	1 stuk(s)
Kleur van het product *	Zwart	Land van herkomst	China
Gewicht en omvang		Code geharmoniseerd systeem (HS)	85299097
Breedte	538 mm		
Diepte	715 mm		



4015867225363

Disclaimer. The information published here (the "Information") is based on sources that can be considered reliable, typically the manufacturer, but this Information is provided "AS IS" and without guarantee of correctness or completeness. The Information is only indicative and can be changed at any time without notification. No rights can be based on the Information. Suppliers or aggregators of this Information do not accept any liability with regard to the content of (web)pages and other documents, including its Information. The publisher of the Information can not be held liable for the content of 3rd party websites that are linking this Information or are linked to from this Information. You as the User of the Information are solely responsible for the choice and usage of this Information. You are not entitled to transfer, copy or otherwise multiply or distribute the Information. You are obliged to follow the directions of the copyright owner(s) with regard to the use of the Information. Exclusively Dutch law is applicable. With regard to price and stock data on the site, the publisher followed a number of starting points, which are not necessarily relevant for your private or business circumstances. Therefore, the price and stock data are only indicative and are subject to changes. You are personally responsible for the way you use and apply this information. As a user of the Information or sites or documents in which this Information is included, you will adhere to standard fair use including avoidance of spamming, ripping, intellectual-property violations, privacy violations, and any other illegal activity.

Publication date: 04-OCT-2024. Prints or copies of Information are only valid on the printed Publication date